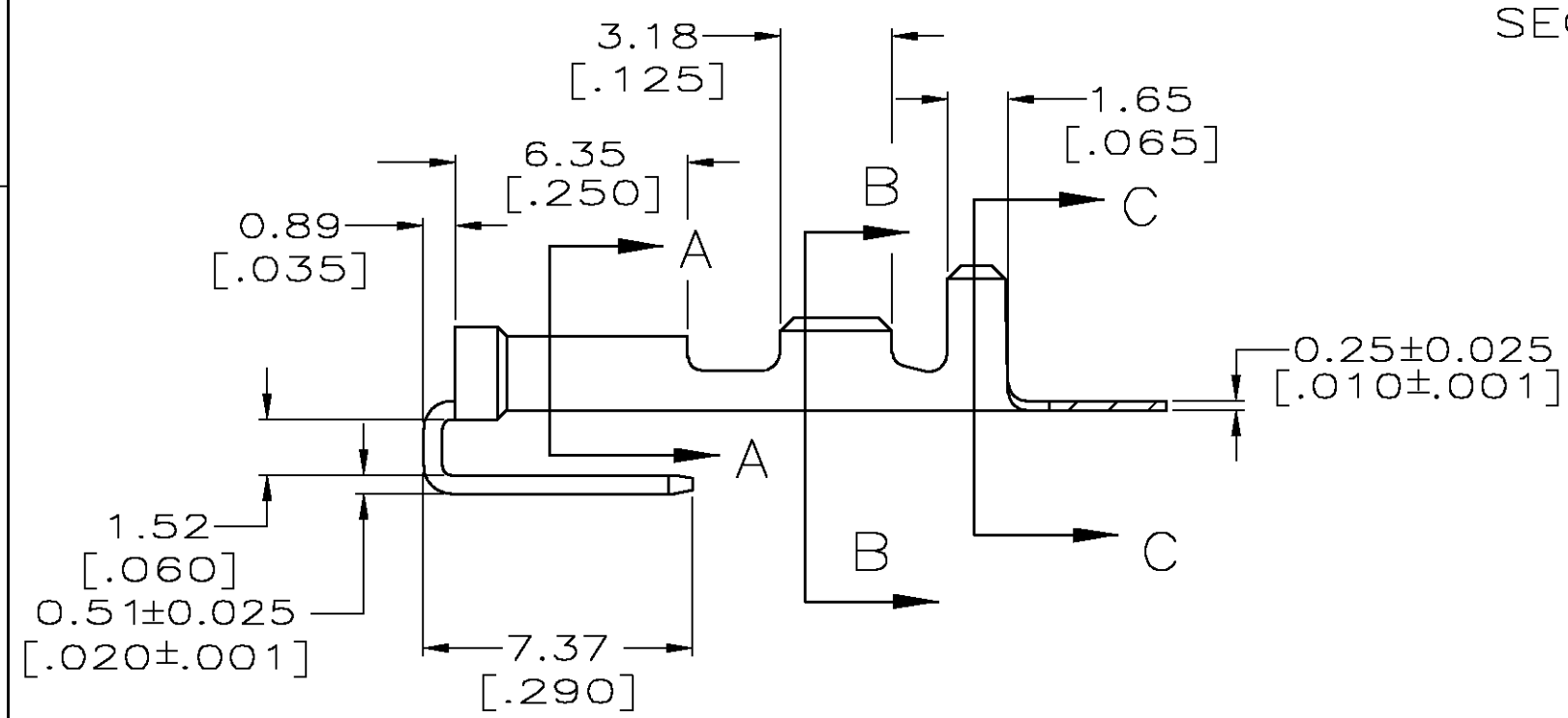
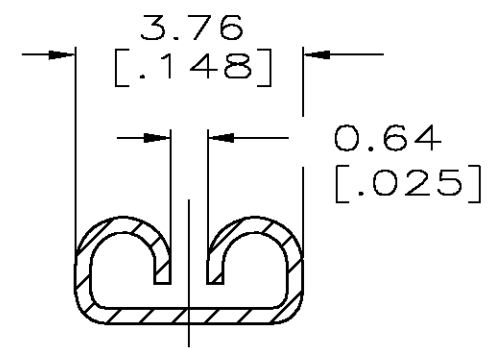
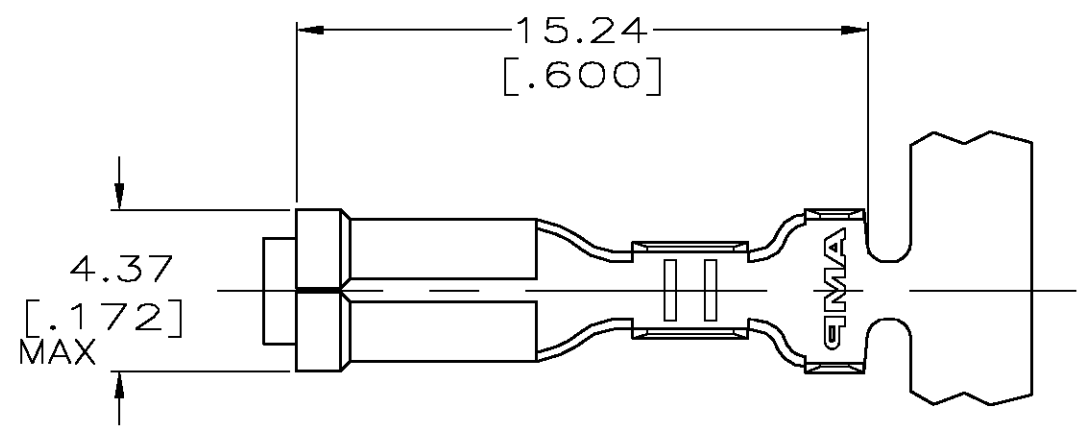


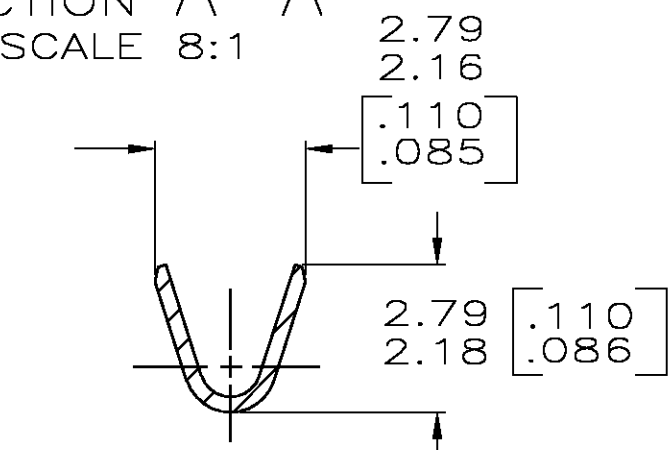
THIS DRAWING IS UNPUBLISHED. RELEASED FOR PUBLICATION
 © COPYRIGHT BY TYCO ELECTRONICS CORPORATION. ALL RIGHTS RESERVED.

LOC	DIST	REVISIONS					
AF	50	P	LTR	DESCRIPTION	DATE	DWN	APVD
			E	REV PER 0G3A-0330-04	05MAY04	JR	PD

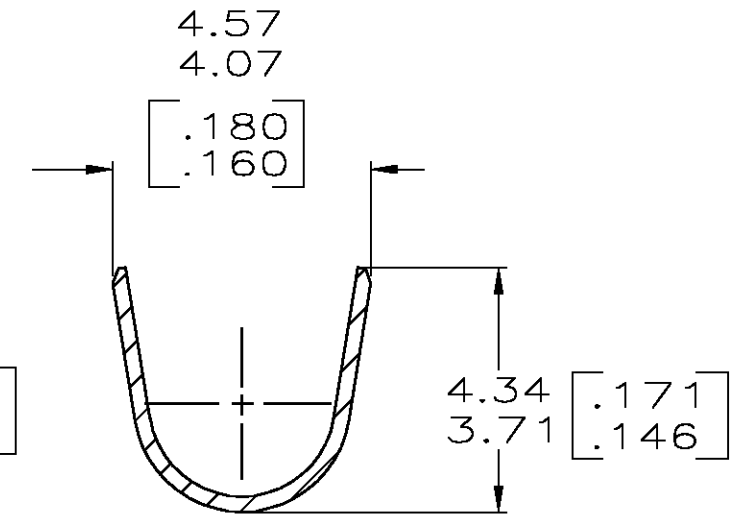
- 1 CONTINUOUS STRIP ON REELS.
- 2 FIRST INSERTION 10 LBS MAX. FIRST EXTRACTION 2 LBS MIN. USE TEST TAB 1-62061-0
- 3 MATING TAB THK 0.46 ± 0.025 $[\.018 \pm .001]$.
- 4 WIRE SIZE IS $[22-18]$ AWG
- 5 INSULATION RANGE 2.03-3.05 DIA $[\.080-.120]$ DIA.
- △ 6 PRELIMINARY - NOT FOR PRODUCTION



SECTION A-A
SCALE 8:1



SECTION B-B
SCALE 8:1



SECTION C-C
SCALE 8:1

0.00203 $[\.000080]$ MIN TIN	△ 6 63242-2
-	63242-1
FINISH	PART NO

THIS DRAWING IS A CONTROLLED DOCUMENT.		DWN JR RUTH 5/16/95	Tyco Electronics Corporation Harrisburg, Pa 17105-3608													
DIMENSIONS: INCHES		CHK MS FEHER 5/16/95														
TOLERANCES UNLESS OTHERWISE SPECIFIED:		APVD P DESANTIS 5/16/95	NAME RECEPTACLE, FASTON, PIGGYBACK, 2.79 $[\.110]$ SERIES													
<table border="1"> <tr><td>0 PLC</td><td>± -</td></tr> <tr><td>1 PLC</td><td>± -</td></tr> <tr><td>2 PLC</td><td>± 0.38 $[\.015]$</td></tr> <tr><td>3 PLC</td><td>± -</td></tr> <tr><td>4 PLC</td><td>± -</td></tr> <tr><td>ANGLES</td><td>± -</td></tr> </table>		0 PLC	± -	1 PLC	± -	2 PLC	± 0.38 $[\.015]$	3 PLC	± -	4 PLC	± -	ANGLES	± -	PRODUCT SPEC -	RESTRICTED TO -	
0 PLC	± -															
1 PLC	± -															
2 PLC	± 0.38 $[\.015]$															
3 PLC	± -															
4 PLC	± -															
ANGLES	± -															
MATERIAL H04 BRASS		FINISH SEE TABLE	APPLICATION SPEC -	SIZE A3												
		WEIGHT -	CAGE CODE 00779	DRAWING NO C-63242												
CUSTOMER DRAWING			SCALE 5:1	SHEET 1 OF 1												
			REV E													